



Powder metal straight fluted taps for cast iron and aluminium die cast

# VP(O)-DC-MT SERIES

Volume 3



# KEY FEATURE: VP(O)-DC-MT SERIES

---



**1** Synchro taps when speed can be > 30 m/min

**2** Highly wear resistant powder metal substrate

**3** Straight flute, high rigidity

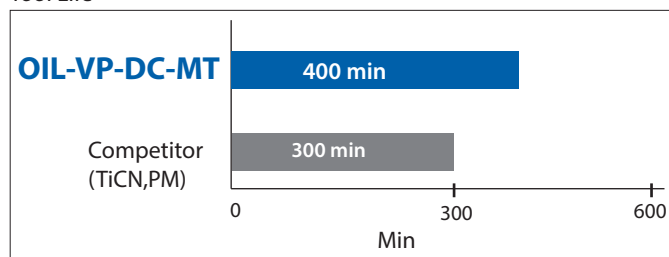
**4** Also available with oil hole

# PERFORMANCE

## ■ GGG40 Emulsion

Tool	OIL-VP-DC-MT (M16x1,5)
Tapping Length	26 mm (Blind & Through holes)
Tapping Speed	40 m/min (800U/min)
Coolant	Emulsion
Machine	Vertical Machining Center

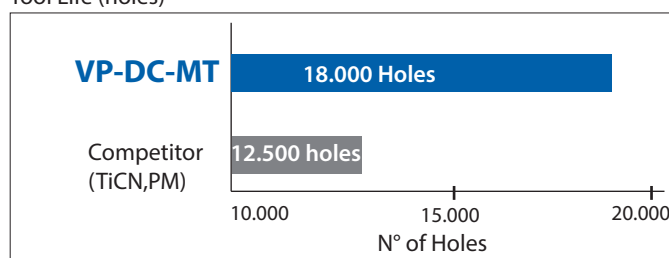
Tool Life



## ■ GG25 Dry Tapping

Tool	VP-DC-MT (M10x1,5)
Tapping Length	18 mm
Tapping Speed	49 m/min (1.560U/min)
Coolant	Dry
Machine	Vertical Machining Center

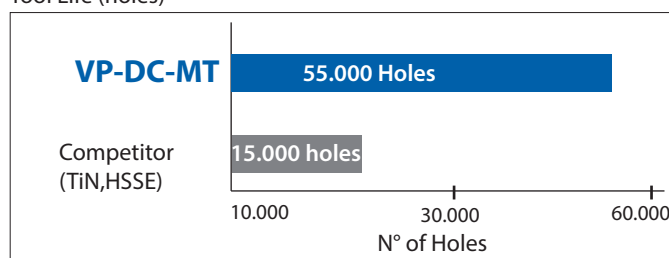
Tool Life (holes)



## ■ ADC Emulsion

Tool	VP-DC-MT (M10x1,5)
Tapping Length	30 mm
Tapping Speed	30 m/min (955U/min)
Coolant	Emulsion
Machine	Vertical Machining Center

Tool Life (holes)



















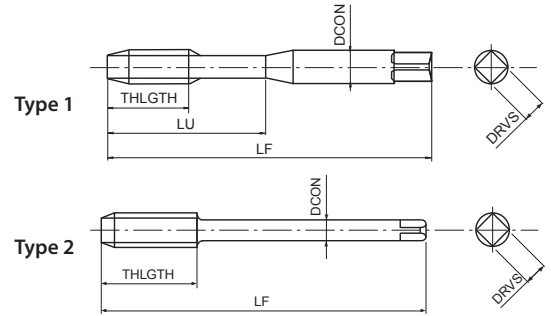






# VP-DC-MT

Threading | Cutting taps | UNF



- Powder metal straight flute cutting tap for through and blind holes
- Multilayer TiCN coating
- For cast iron and cast aluminium
- Synchro taps at cutting speeds > 30 m/min

<b>P</b>	<b>P</b>	<b>K</b>	<b>K</b>	<b>N</b>	<b>H</b>	<b>H</b>	
C ≥ 0,45%	SCM	GG	GGG	AC, ADC	25-35 HRC	35-45 HRC	
10-25	10-20	15-60	15-40	25-70	8-20	8-20	m/min

<b>UNF</b>	<b>PM</b>	<b>V</b>	<b>ANSI 2BX</b>	<b>C/2,5</b>			<b>DIN 2184-1</b>	<b>DIN 2184-1</b>
------------	-----------	----------	-----------------	--------------	--	--	-------------------	-------------------

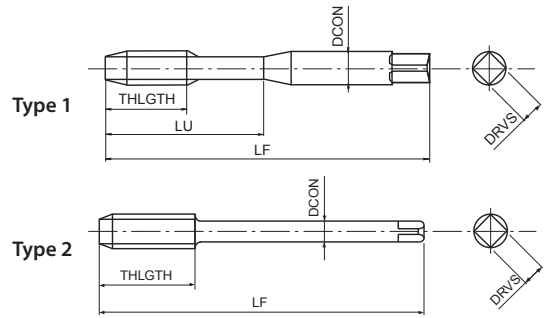
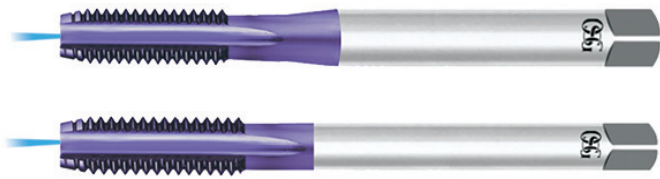
EDP	TD	TP	LF	THLGTH	LU	DCON	DRVS	NOF	Type	DIN
48020454	2	64	45	9	14	2,8	2,1	3	1	2184-1
48020456	3	56	50	9	14	2,8	2,1	3	1	2184-1
48020458	4	48	56	8	18	3,5	2,7	3	1	2184-1
48020460	5	44	56	8	18	3,5	2,7	3	1	2184-1
48020462	6	40	56	10	20	4	3	3	1	2184-1
48020465	8	36	63	10	21	4,5	3,4	3	1	2184-1
48020467	10	32	70	13	25	6	4,9	3	1	2184-1
48020469	12	28	80	13	30	6	4,9	3	1	2184-1
48020472	1/4	28	80	16	30	7	5,5	3	1	2184-1
48020476	5/16	24	90	17	35	8	6,2	4	1	2184-1
48020481	3/8	24	90	20	35	10	8	4	1	2184-1
48020486	7/16	20	100	22	-	8	6,2	4	2	2184-1
48020491	1/2	20	100	22	-	9	7	4	2	2184-1
48020496	9/16	18	100	22	-	11	9	4	2	2184-1
48020504	5/8	18	100	22	-	12	9	4	2	2184-1
48020517	3/4	16	110	25	-	14	11	4	2	2184-1
48020528	7/8	14	125	25	-	18	14,5	5	2	2184-1
48020539	1	12	140	28	-	18	14,5	5	2	2184-1

Threading | Cutting taps

UNF

# VPO-DC-MT FORM E NEW

Threading | Cutting taps | UNF



- Powder metal straight flute cutting tap for blind holes
- Multilayer TiCN coating
- For cast iron and aluminium cast
- Synchro taps at cutting speeds > 30 m/min, with centre through coolant, chamfer Form E

<b>P</b> ○ C ≥ 0,45%	<b>P</b> ○ SCM	<b>K</b> ● GG	<b>K</b> ● GGG	<b>N</b> ● AC, ADC	<b>H</b> ○ 25-35 HRC	<b>H</b> ○ 35-45 HRC	
10-25	10-20	15-60	15-40	25-70	8-20	8-20	m/min

<b>UNF</b>	<b>PM</b>	<b>V</b>	<b>ANSI 2BX</b>	E/1,5	≥2D		<b>DIN 2184-1</b>	<b>DIN 2184-1</b>
------------	-----------	----------	-----------------	-------	-----	--	-------------------	-------------------

EDP	TD	TP	LF	THLGTH	LU	DCON	DRVS	NOF	Type	DIN
48379472	1/4	28	80	16	30	7	5,5	3	1	DIN2184-1
48379476	5/16	24	90	17	35	8	6,2	4	1	DIN2184-1
48379481	3/8	24	90	20	35	10	8	4	1	DIN2184-1
48379486	7/16	20	100	22	-	8	6,2	4	2	DIN2184-1
48379491	1/2	20	100	22	-	9	7	4	2	DIN2184-1
48379496	9/16	18	100	22	-	11	9	4	2	DIN2184-1
48379504	5/8	18	100	22	-	12	9	4	2	DIN2184-1
48379517	3/4	16	110	25	-	14	11	4	2	DIN2184-1
48379528	7/8	14	125	25	-	18	14,5	5	2	DIN2184-1
48379539	1	12	140	28	-	18	14,5	5	2	DIN2184-1

Threading | Cutting taps



UNF







[www.osgeurope.com](http://www.osgeurope.com)



## SWEDEN

Branch office of OSG SCANDINAVIA  
Singelgatan 7  
212 28 Malmö  
Sweden  
Tel: +46 40 41 22 55  
osg@osg-scandinavia.com

## OSG SCANDINAVIA

(For Scandinavian countries)  
Langebjergvaenget 16  
4000 Roskilde  
Denmark  
Tel: +45 46 75 65 55  
osg@osg-scandinavia.com

## OSG NETHERLANDS

Bedrijfsweg 5  
3481 MG Harmelen  
The Netherlands  
Tel: +31 348 44 2764  
Fax: +31 348 44 2144  
info@osg-nl.com

## OSG UK

Kelsey Close, Attleborough Fields Ind Est,  
CV11 6RS, Nuneaton  
United Kingdom  
Tel: +44 1827 720 013  
sales@osg-uk.com

## OSG EUROPE LOGISTICS

Avenue Lavoisier 1  
B-1300 Z.I. Wavre - Nord  
Belgium  
Tel: +32 10 23 05 07  
Fax: +32 10 23 05 51  
info@osgeurope.com

## OSG BELUX

Avenue Lavoisier 1  
B-1300 Z.I. Wavre - Nord  
Belgium  
Tel: +32 10 23 05 11  
Fax: +32 10 23 05 31  
info@osg-belgium.com

## OSG IBÉRICA

Bekolarra 4  
E - 01010 Vitoria-Gasteiz  
Spain  
Tel: +34 945 242 400  
Fax: +34 945 228 883  
osg.iberica@osg-ib.com

## OSG FRANCE

Parc Icade, Paris Nord 2  
Immeuble "Le Rimbaud"  
22 Avenue des Nations  
CS66191 - 93420 Villepinte  
France  
Tel: +33 1 49 90 10 10  
Fax: +33 1 49 90 10 15  
sales@osg-france.com

## OSG ITALY

Via Ferrero, 65 A/B  
I - 10098 Rivoli  
Italy  
Tel: +39 0117705211  
Fax: +39 0117705215  
info@osg-italia.it





**CZECH REPUBLIC, SLOVAKIA, HUNGARY**

OSG Europe Logistics S.A.  
Slovakia, organizačná zložka  
Račianska 22/A, Bratislava 831 02  
Slovakia  
Tel.: +421 24 32 91 295  
info@osgeurope.com

**OSG POLAND**

ul. Spółdzielcza 57  
05-074 Halinów  
Polska  
Tel: +22 760 82 71  
Mob. +48 570 677 711  
osg@osg-poland.com

**ROMSAN INTERNATIONAL CO. SRL**

Reprezentant Exclusiv OSG  
25C, Bucuresti-Magurele Street  
051431 Bucuresti  
România  
Tel: +40 21 322 07 47  
Fax: +40 21 321 56 00  
romsan.int@romsan.ro

**OSG TURKEY**

Rami Kişla Cad.No:56 Eyüp  
Istanbul 34056  
Turkey  
Tel: +90 212 565 24 00  
Fax: +90 212 565 44 00  
info@osg-turkey.com

**Vischer & Bolli AG**

Machining and Workholding  
Im Schossacher 17  
CH-8600 Dübendorf  
Schweiz  
Tel.: +41 44 802 15 15  
Fax: +41 44 802 15 95  
info@vb-tools.com

**OSG GERMANY**

Karl-Ehmann-Str. 25  
D - 73037 Göppingen  
Germany  
Tel: +49 7161 6064 - 0  
Fax: +49 7161 6064 - 444  
info@osg-germany.de



shaping your dreams

#### **OSG EUROPE LOGISTICS**

Avenue Lavoisier 1  
B-1300 Z.I. Wavre - Nord - Belgium  
Tel: +32 10 23 05 07  
Fax: +32 10 23 05 51  
info@osgeurope.com

#### **OSG BELUX**

Avenue Lavoisier 1  
B-1300 Z.I. Wavre - Nord - Belgium  
Tel: +32 10 23 05 11  
Fax: +32 10 23 05 31  
info@osg-belgium.com

#### **OSG FRANCE**

Parc Icade, Paris Nord 2  
Immeuble "Le Rimbaud"  
22 Avenue des Nations  
CS66191 - 93420 Villepinte - France  
Tel: +33 1 49 90 10 10  
Fax: +33 1 49 90 10 15  
sales@osg-france.com

#### **OSG NETHERLANDS**

Bedrijfsweg 5 - 3481 MG Harmelen  
Tel: +31 348 44 2764  
Fax: +31 348 44 2144  
info@osg-nl.com

#### **OSG UK**

Kelsey Close, Attleborough Fields Ind Est,  
CV11 6RS, Nuneaton, United Kingdom.  
Tel: +44 1827 720 013  
uk\_sales@osg-uk.com

#### **CZECH, SLOVAKIA, HUNGARY**

OSG Europe Logistics S.A.  
Slovakia organizacna zlozka  
Racianská 22/A, SK-83102 Bratislava  
Slovakia  
Tel. +421 24 32 91 295  
Orders-osgsvk@osgeurope.com

#### **OSG POLAND Sp. z o.o.**

Spółdzielcza 57  
05-074 Halinów - Poland  
Tel: +22 760 82 71  
Fax: +22 760 82 71  
osg@osg-poland.com

#### **OSG GERMANY**

Karl-Ehmann-Str. 25  
D - 73037 Göppingen - Germany  
Tel: +49 7161 6064 - 0  
Fax: +49 7161 6064 - 444  
info@osg-germany.de

#### **OSG SCANDINAVIA**

(For Scandinavian countries)  
Langebjergvaenget 16  
4000 Roskilde - Denmark  
Tel: +45 46 75 65 55  
Fax: +45 46 75 67 00  
osg@osg-scandinavia.com

#### **SWEDEN**

Branch office of OSG SCANDINAVIA  
Singelgatan 7  
212 28 Malmö - Sweden  
Tel: +46 40 41 22 55  
osg@osg-scandinavia.com

#### **OSG IBERICA**

Bekolarra 4  
E - 01010 Vitoria-Gasteiz - Spain  
Tel: +34 945 242 400  
Fax: +34 945 228 883  
osg.iberica@osg-ib.com

#### **OSG TURKEY**

Rami Kışla Cad.No:56 Eyüp  
Istanbul 34056 - Turkey  
Tel+90 212 565 24 00  
Fax: +90 212 565 44 00  
info@osg-turkey.com

#### **ROMSAN INTERNATIONAL CO. SRL**

Reprezentant Exclusiv OSG  
25C, Bucuresti-Magurele Street  
051431 Bucuresti - România  
Tel: +40 21 322 07 47  
Fax: +40 21 321 56 00  
romsan.int@romsan.ro

#### **AUSTRIA**

Branch office of OSG GERMANY  
Messestraße 11  
A-6850 Dornbirn  
Tel: +49 7161 6064-0  
Fax: +49 7161 6064-444  
info@osg-germany.de

#### **OSG ITALIA**

Via Ferrero, 65 A/B3  
I - 10098 Rivoli - Italy  
Tel: +39 0117705211  
Fax: +39 0117705215  
info@osg-italia.it

#### **Vischer & Bolli AG**

Machining and Workholding  
Im Schossacher 17  
CH-8600 Dübendorf  
T +41 44 802 15 15  
F +41 44 802 15 95  
info@vb-tools.com

#### **OSG EUROPE LOGISTICS S.A.**

01/2024 - All rights reserved. © OSG Europe 2024

The contents of this catalogue are provided to you for viewing only. They are not intended for reproduction either in part or in whole in this or other medium. They cannot be copied, used to create derivation work or used for any reason, by means without the express, written permission of the copyright owner. If prices are stated, they are netto unit-prices and any eventual tax(es) have to be added. The company is not responsible for any printing error in technical, price and/or any other data.

Tool specifications subject to change without notice.

[www.osgeurope.com](http://www.osgeurope.com)