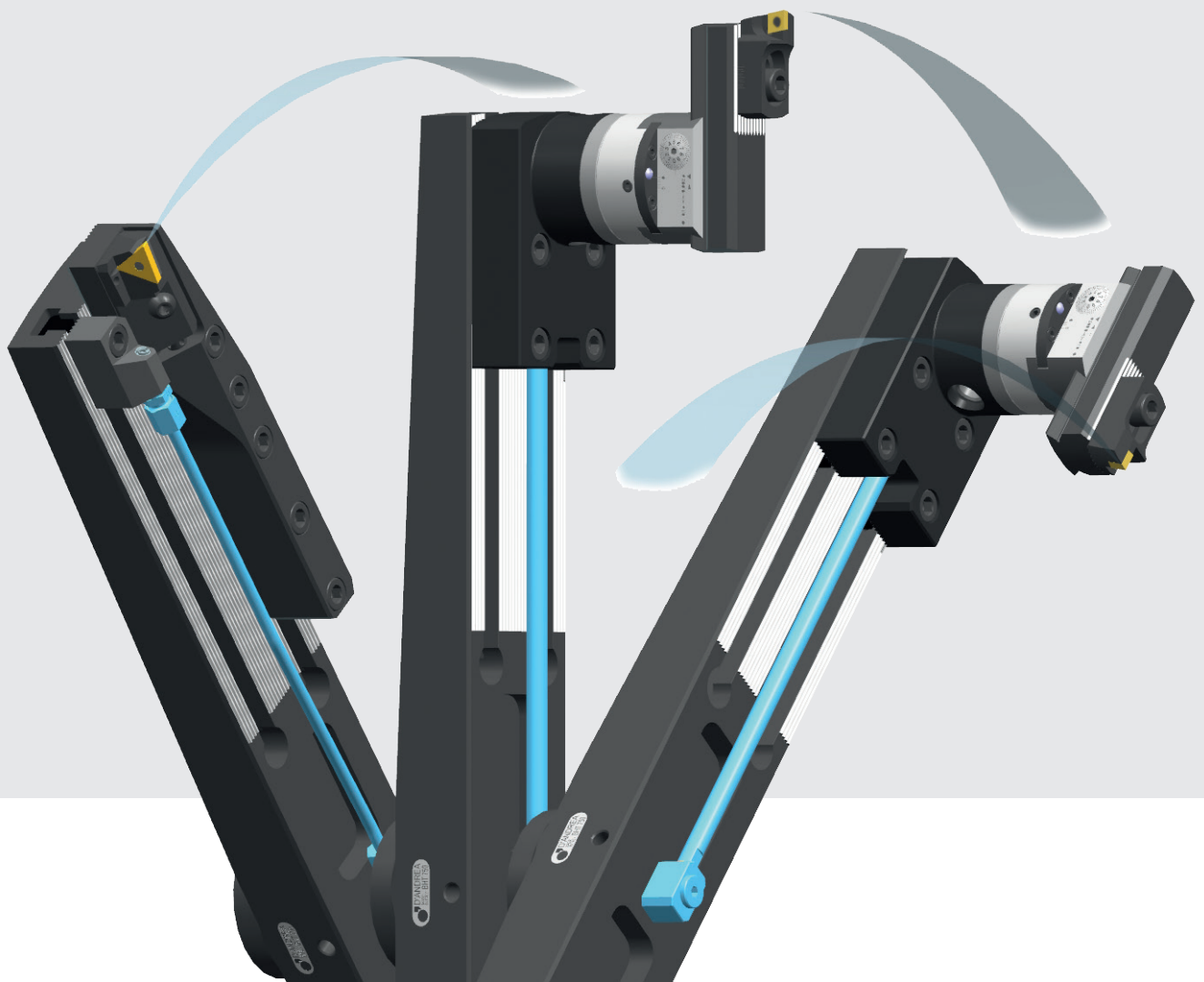


NEW KIT BHT System

BHT 250 - 500 - 750

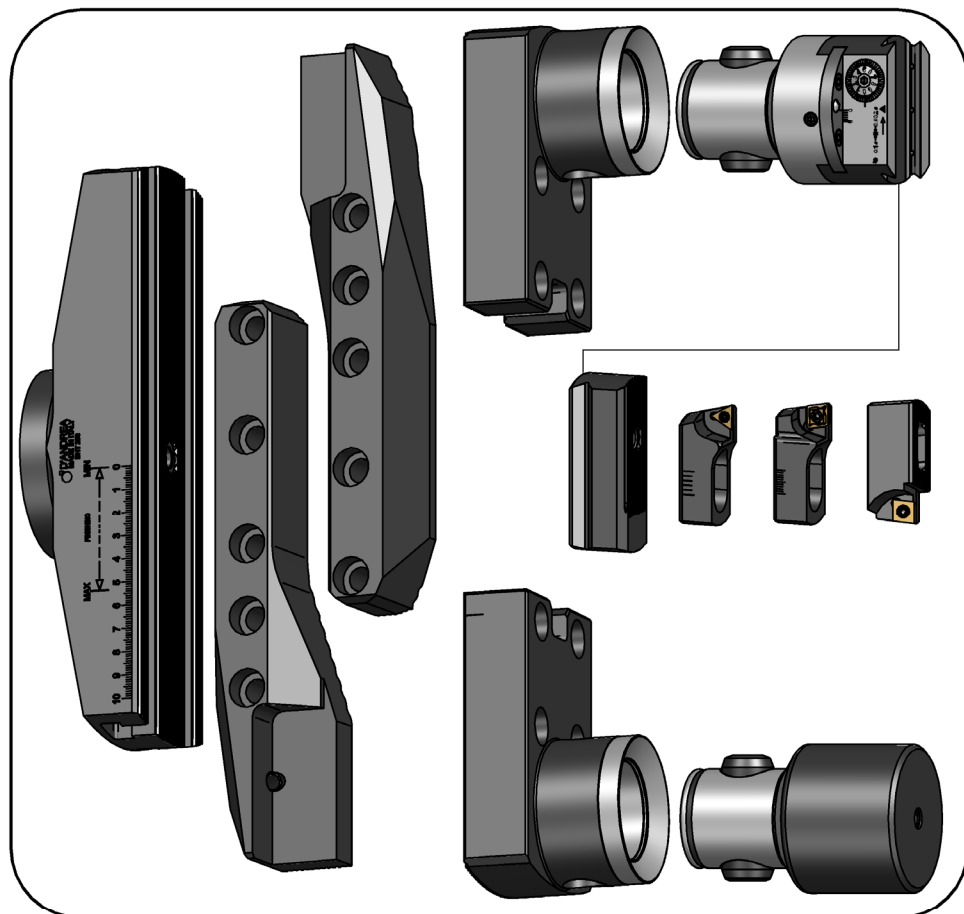
ONE BASE BODY FOR
ROUGHING - FINISHING - TURNING

DIAMETERS FROM 250 TO 1000 mm



NEW KITs BHT System 250 - 500 - 750

ROUGHING - FINISHING - TURNING



from
1st April
up to
30th Sept.

KIT K01 BHT - HT8

REF.	CODE	Price List
BHT 250 Ø 250 ~ 500	655108002500	€ 5.550
BHT 500 Ø 500 ~ 750	655108005000	€ 6.050
BHT 750 Ø 750 ~ 1000	655108007500	€ 6.500

COMPOSITION KIT

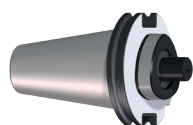
1 BASE BODY (250 - 500 - 750)	
2 CARTRIDGE HOLDERS	1 PS 11.30
2 ADAPTERS MHD'63	1 SFTP 51
1 TRM 63/63	1 SFCC 51
1 COUNTERWEIGHT	1 SFQC50

Special conditions on BHT KITs

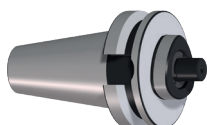
extra 20%
over your usual discount

COMPONENTS ON REQUEST

ARBORS HT



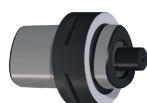
DIN69871 / CAT - HT8



MAS403BT - HT8



HSK69893 - HT8



PSC80 - HT8

REF.	CODE	kg
DIN 69871-AD50	HT8.36.5 41HT08025000	3.4
MAS403BT-AD50	HT8.38.5 41HT08035000	3.7
PSC 80	HT8.30 41HT08018000	2
HSK 100	HT8.76.5 41HT08041000	4
CAT 50 UNC	HT8.50.5 41HT08055000	3.9

CARTRIDGES 20CA ISO 5611

ROUGHING



PTGNL20CA-22

CODE 483010201001

TNM2204



SCGCL20CA-12

CODE 483010201003

CCM1204



PCGNL20CA-16

CODE 483010201002

CNM1606



PSRNL20CA-15

CODE 483010201004

SNM1506

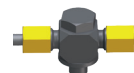
COOLANT KIT

ROUGHING



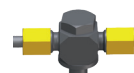
KIT RFG BHT 250

CODE 382090025000



KIT RFG BHT 500

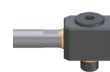
CODE 382090050003



KIT RFG BHT 750

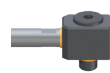
CODE 382090075000

FINISHING



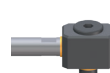
KIT RFG BHT 250

CODE 382090025001



KIT RFG BHT 500

CODE 382090050004



KIT RFG BHT 750

CODE 382090075001